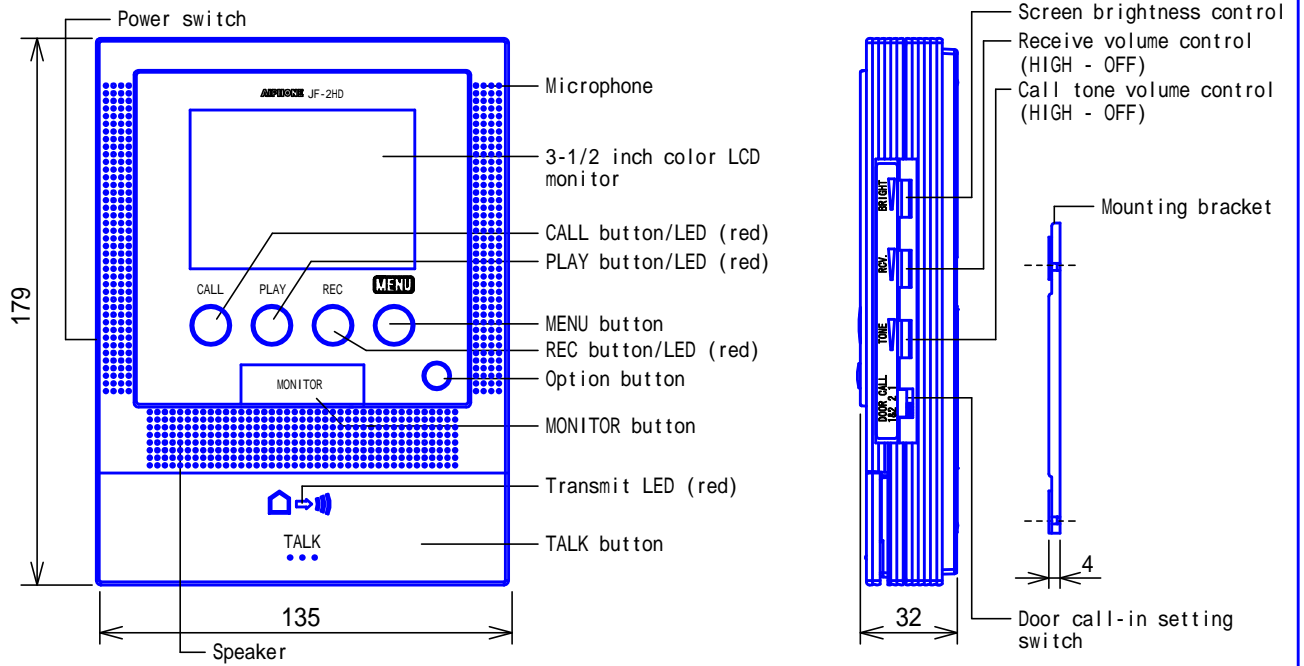
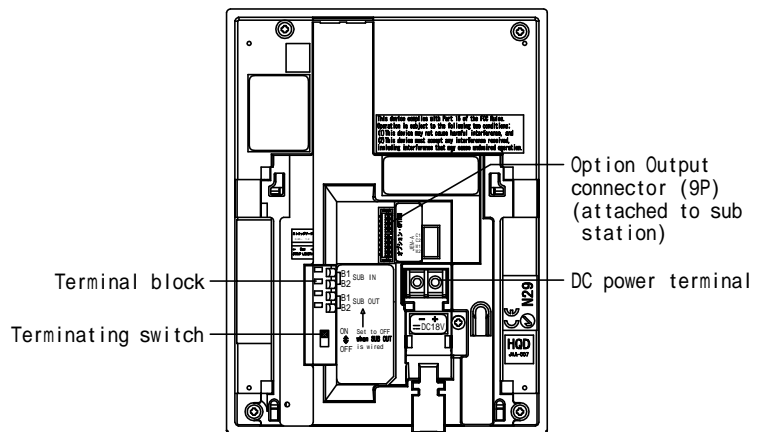
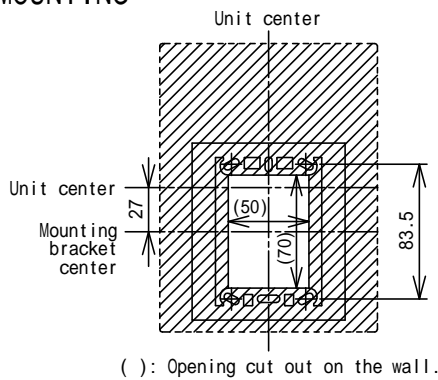


PRODUCT DRAWING



MOUNTING



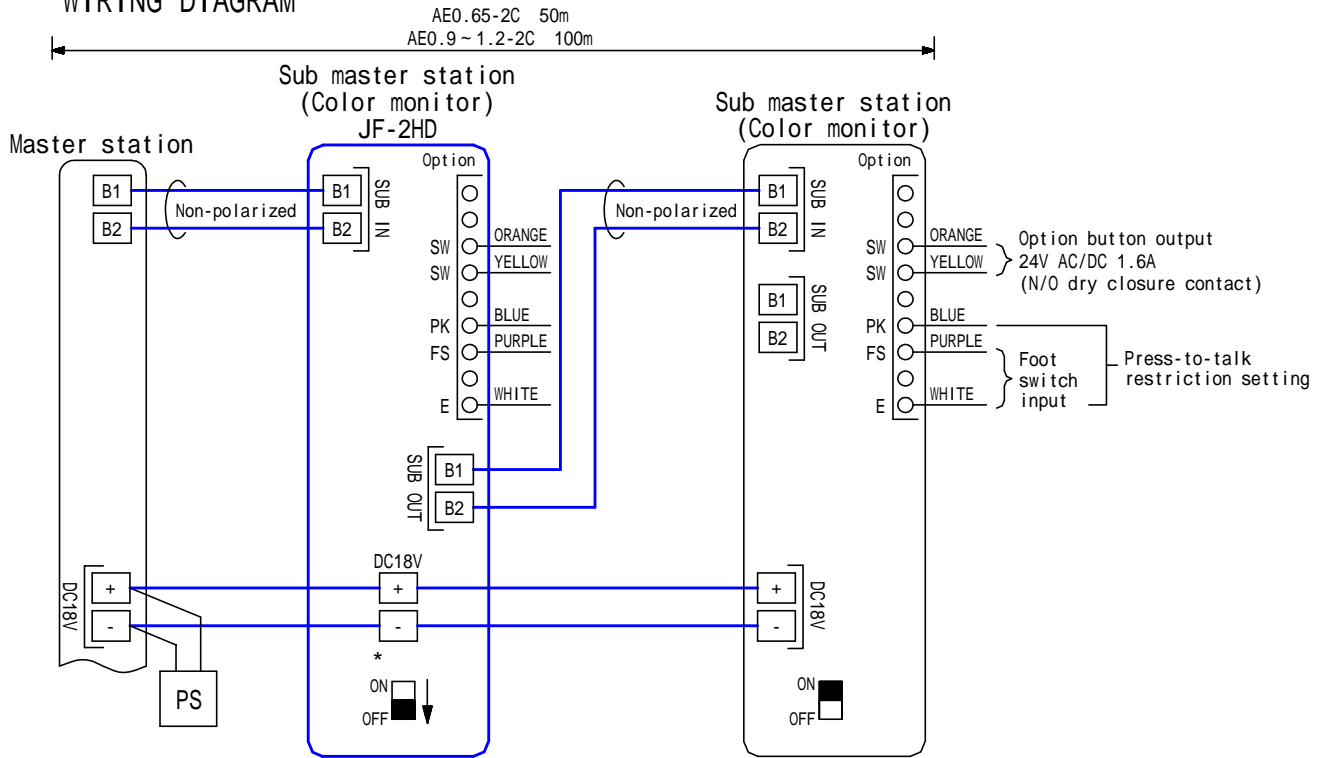
SPECIFICATIONS

Power source	18V DC, Supplied from a power supply		
Power consumption	220mA (max.)		
Video monitor	3-1/2 inch TFT color LCD		
Pixels	120,000 pixels		
Type of communication	Open voice hands-free auto-voice actuation or Press-to-talk communication		
Picture memory	50 pictures (8 shots/picture)		
Save picture	10 pictures		
Ambient temperature	0 ~ 40		
Mounting	Surface wall mount		
Electrical box	Single-gang box		
Housing	Unit case: Fire-retardant ABS plastic.		
	Acrylic panel area: Fire-retardant plastic		
Weight	Approx. 420g(0.93lbs.)		
Unit color	Panel: Metallic silver		
	Front case: Snow white(5Y9.3/0.1 Munsell Approximation)		

DESCRIPTION	FIG. NAME	UNIT	DATE
SUB MASTER STATION (Color monitor)	PRODUCT/SPECIFICATIONS	mm	12 October, 2006
MODEL NO.	FIG.NO.	PAGE	REVISION
JF-2HD	50760-1-3	1/3	1

AIPHONE

WIRING DIAGRAM



* Put the terminating switch to OFF (non-terminated) position.

PS : 18V DC, PS-1820 or PS-1810DIN power supply

RESTRICTIONS

Due to hands-free auto-voice actuation system, smooth voice switching may be hindered by voice strength of the opponent or ambient noise, etc.

When system has two Sub master stations (JF-2HD or JF-2SD) installed, put the terminating switch to OFF position on the middle of Sub master station.

JF-2HD shall meet with RESTRICTIONS ON WIRING of JF-2MED Master station.

DESCRIPTION SUB MASTER STATION (Color monitor)	FIG. NAME WIRING/RESTRICTIONS	UNIT mm	DATE 2 October, 2006
MODEL NO. JF-2HD	FIG.NO. 50760-2-3	PAGE 2/3	REVISION 1

AIPHONE

FUNCTIONS

Calling door station, call stand-by approx. 45 sec.
 Hands-free auto-voice actuation communication, approx. 1 min. timed
 Transmit LED is steadily lit in red while speaking
 Press-to-talk communication, after depressing TALK button approx. 1 sec. or more
 Instant voice call: Instant-on audio and video, upon called from door station (approx. 45 seconds)
 All-Call the inside stations (Master & Sub-master) (approx. 10 min.)
 External sensor input: When external sensor activates, monitor stations are notified by displaying icon (📞), notification sounds, and flashing Transmit LED (door station 1 also sounds by setting of master station)
 Reset notification by pressing CALL button or sounds stop automatically after 30 sec. by setting of master station
 Monitoring audio/video of door station, approx. 1 min. timed
 Transfer entrance call to another inside station
 Activating door strike: Press "MENU/MEMO" button, then press "CALL" button
 Foot switch connection: Connectable external switch to operate the same operation as TALK button
 Press-to-talk restriction: Disable Press-to-talk function
 Option button: Controls external device such as entrance light

<Picture memory>

Records call from video door station automatically (first shot is recorded after 2 seconds, and total of 8 shots per sec.)
 Press REC button to record manually (total of 8 shots per sec.) / REC LED flashes (red)
 Max. 50 pictures can be recorded (automatic and manual recording), (max. 8 shots per picture)
 Save max. 10 pictures

<Message for entrance>

Recorded messages can be played from door station by operation of monitor station
 2 messages selectable (approx. 10 sec. per message)
 (Message is recordable on JF-2MED only.)

SETTING

Adjust Screen brightness (sliding).....	BRIGHT (screen brightness) control
Adjust Receive volume (HIGH - LOW).....	RCV. (receive) volume control (Instant voice call is also adjusted)
Adjust Call tone volume (HIGH - OFF).....	TONE (call tone) volume control (Notification sounds is also adjusted)
Select door call-in (1 & 2, 1, 2)	Call-in setting switch
Terminating switch (ON or OFF).....	Terminating switch
Press-to-talk restriction	Option connector Short-circuit PK (Blue) and E (White)

DESCRIPTION	FIG. NAME	UNIT	DATE
SUB MASTER STATION (Color monitor)	FUNCTIONS/SETTING	mm	9 October, 2006
MODEL NO.	FIG.NO.	PAGE	REVISION
JF-2HD	50760-3-3	3/3	1

AIPHONE