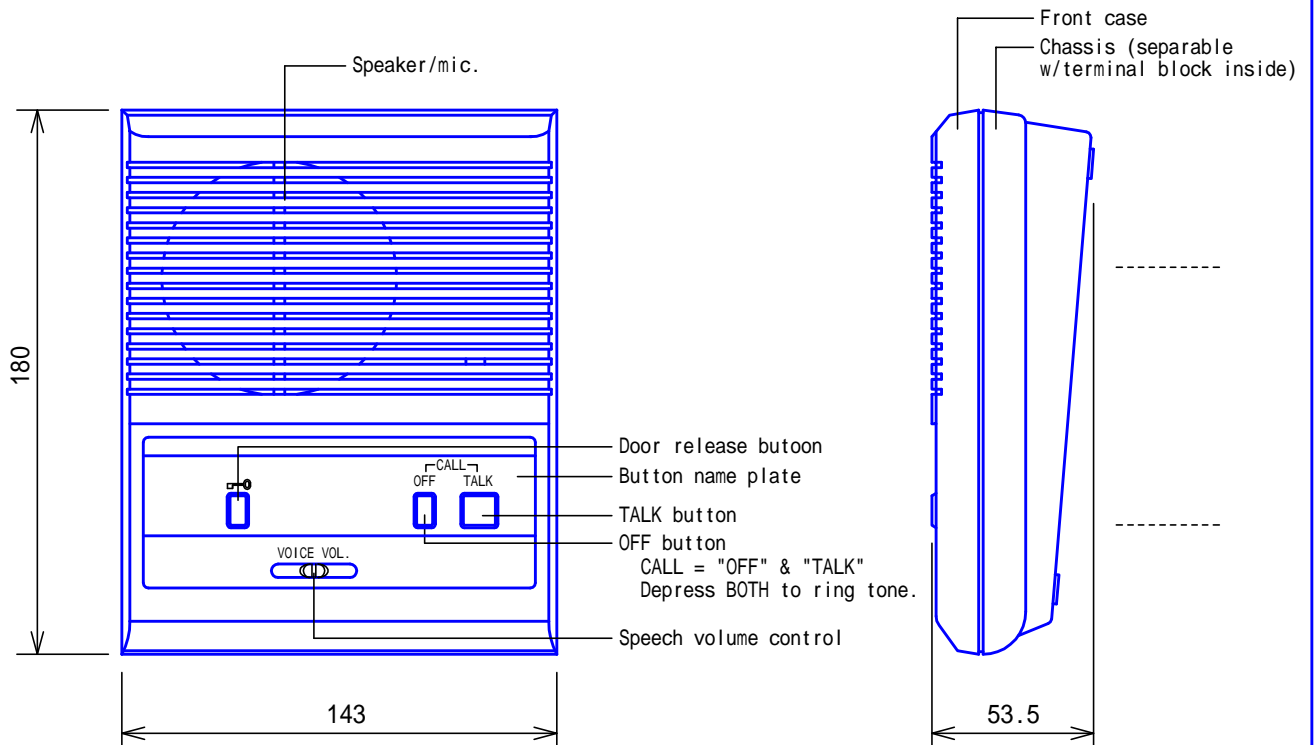
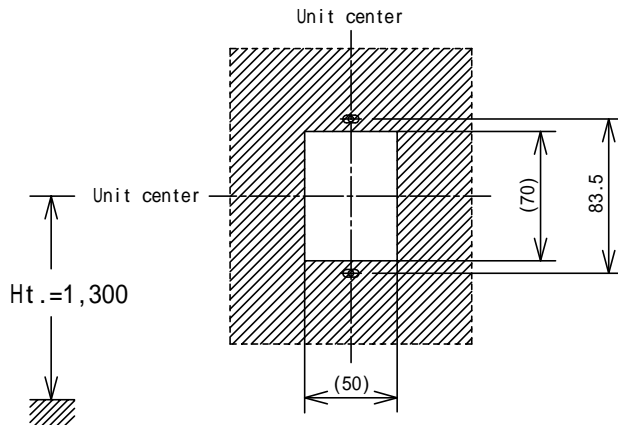


PRODUCT DRAWING



MOUNTING



Cable inlet opening; As provided for single-gang mounting

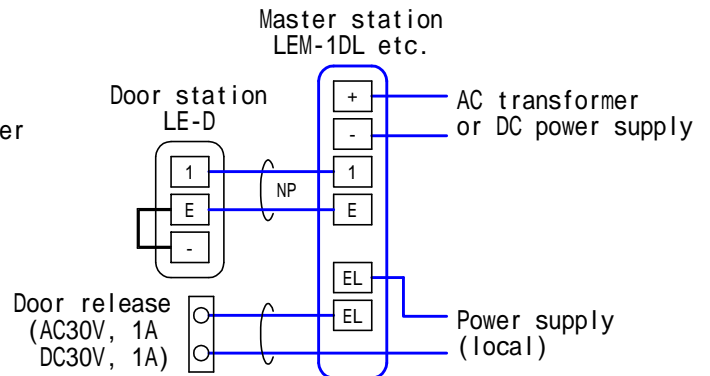
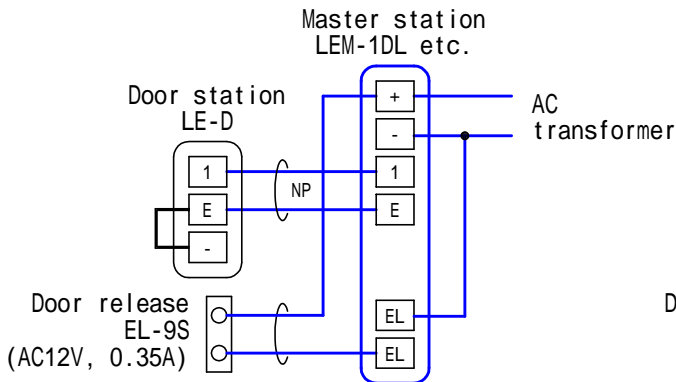
DESCRIPTION MASTER STATION	(Door release, 1-call)	FIG. NAME PRODUCT DRAWING	UNIT mm	DATE 28 March, 2005
MODEL NO. LEM-1DL		FIG.NO. 11640301-1-2	PAGE 1/2	REVISION 1

AIPHONE

WIRING DIAGRAM

• Aiphone EL-9S

• Door release of other manufacture



RESTRICTIONS

LEM-1DL system shall be configured connecting with LE Series Sub stations only.

LEM-1DL is not designed for being powered by Batteries or from AC mains.

Shorting link between E and - shall not be removed on the Sub stations.

Door release wires shall be in a separately sheathed cable and 30cm away from Intercom wires.

FUNCTIONS

Calling and communication between a Sub station.

Effect Press-to-talk, Release-to-listen communication.

Place the communication on hold by pressing OFF button (or puts in standby).

Have door release activated by holding down DOOR RELEASE button.

SETTING

Adjust communication volume (sliding) with VOICE VOL. control (front)

Adjust call tone volume control (3-level, LOW-MID-HIGH)

..... with CALL TONE volume control (under plate)

SPECIFICATIONS

Power source	12~16V AC. Use an AC transformer. 12~24V DC. Use a Power supply PS-1225.
Consumption	Max. 4W(16V AC). Max. 200mA(24V DC).
Output	100mW.
Type of communication	Open voice press-to-talk communication.
Call tone	To Sub; Mono tone and direct voice.
	From Sub; Mono tone only.
Sub station capacity	1 Sub station.
Door release contact	30V AC or DC, 1A max.
Mounting	Desk-top use or wall mount.
Electrical box	Plastic.
Unit color	White & gray, 2-tone.
Weight	340g(approx.)
Remarks	Configures a single entry control system.

DESCRIPTION MASTER STATION	(Door release, 1-call)	FIG. NAME SPEC./WIRING/RESTR./FCN./SETTING	UNIT mm	DATE 28 March, 2005
MODEL NO. LEM-1DL		FIG.NO. 11640301-2-2	PAGE 2/2	REVISION 1

AIPHONE